

For reference only. See data sheet for the detailed specifications.

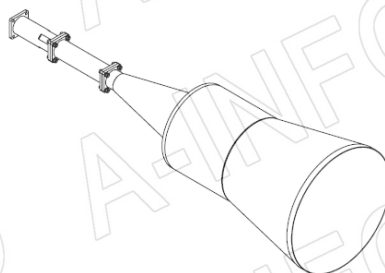
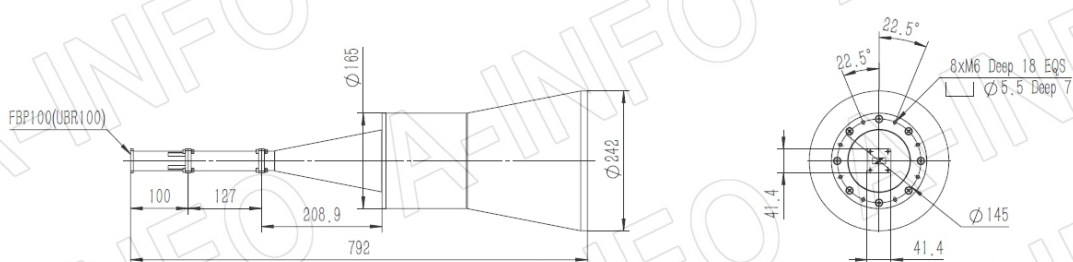
Technical Specification



| | |
|----------------------|---|
| Frequency Range(GHz) | 8.9 - 11.7 |
| Waveguide | WR90 |
| Gain(dBic) | 25 Typ. |
| Polarization | RHCP |
| Axial Ratio(dB) | 0.8 Typ. ; 2.0 Max. |
| 3dB Beamwidth(deg) | E Plane: 8 Typ. |
| | H Plane: 9 Typ. |
| VSWR | A Type: 1.15:1 Max. |
| | C Type: 1.50:1 Max. |
| Output | A Type: FBP100(UBR100) |
| | C Type: SMA-Female or N-Female or TNC-Female or 7mm or 3.5mm-Female |
| Material | Al |
| Finish | Chemical Conversion Coating, Gray Paint |
| Size(mm) | A Type: 242 x 242 x 792 |
| | C Type: 242 x 242 x 830 |
| Net Weight(Kg) | A Type: 5.0 Around |
| | C Type: 5.3 Around |

Outline Drawing (Size: mm)

FBP100 Output (P/N: LB-CNH-90-25-R16-A)



AINFO Inc.

China(Beijing): Tel: (+86) 10-6266-7326,
China(Chengdu): Tel: (+86) 28-8519-2786,
USA: Tel: (+1) 949-639-9688,

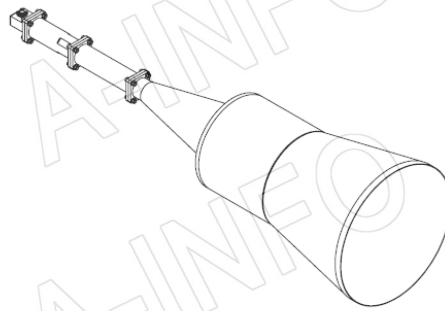
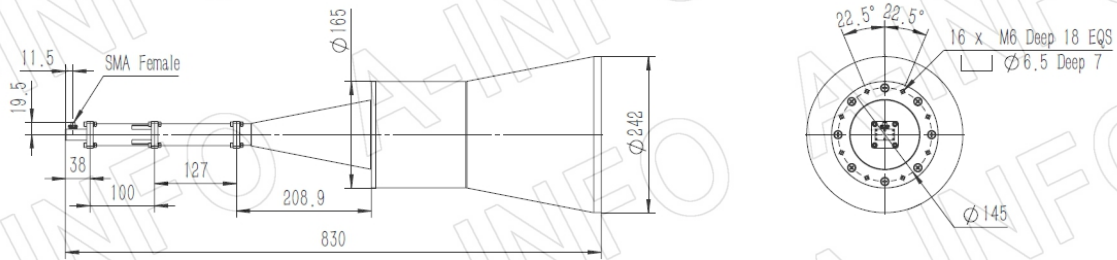
Page 1 of 8

(+86) 10-6266-7327 Fax: (+86) 10-6266-7379
(+86) 28-8519-3044 Fax: (+86) 28-8519-3068
(+1) 949-639-9608 Fax: (+1) 949-639-9670

Website: www.ainfoinc.com
Email: sales@ainfoinc.com

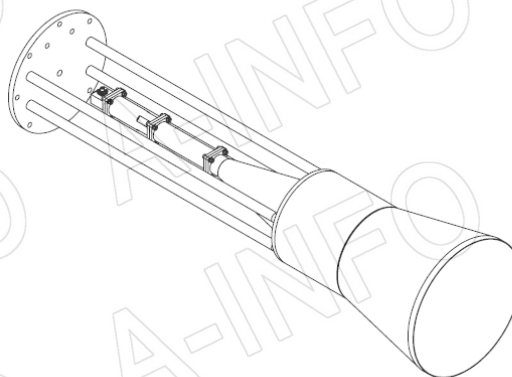
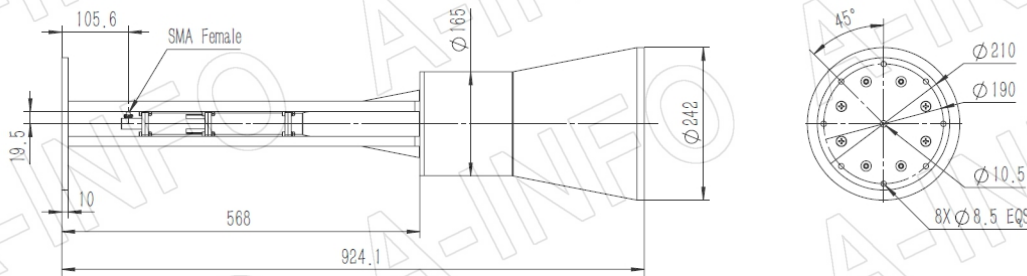
SMA-Female Output (P/N: LB-CNH-90-25-R16-C-SF)

For N-Female, TNC- Female, 7mm or 3.5mm-Female output outline drawing, please contact A-INFO.



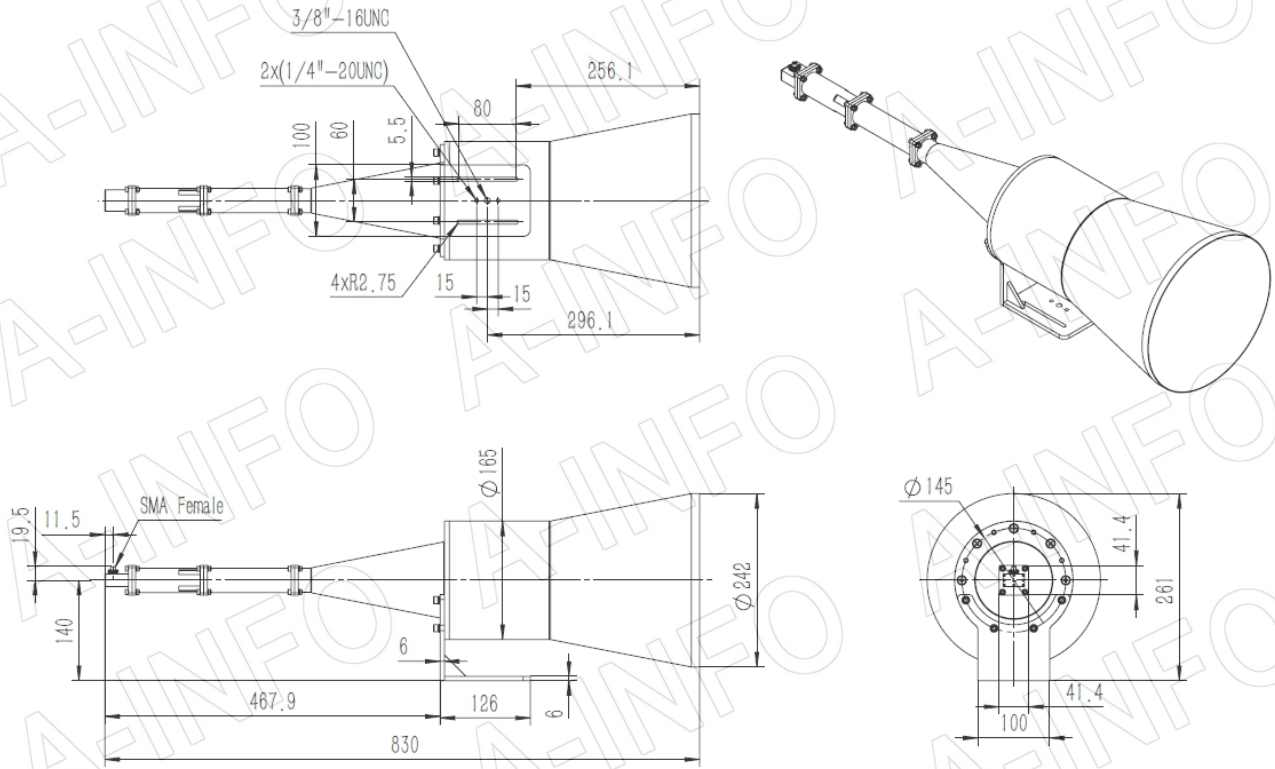
SMA-Female Output with Round Mounting Bracket (Option, P/N: LB-CNH-90-25-MB)

For N-Female, TNC- Female, 7mm or 3.5mm-Female output outline drawing, please contact A-INFO.

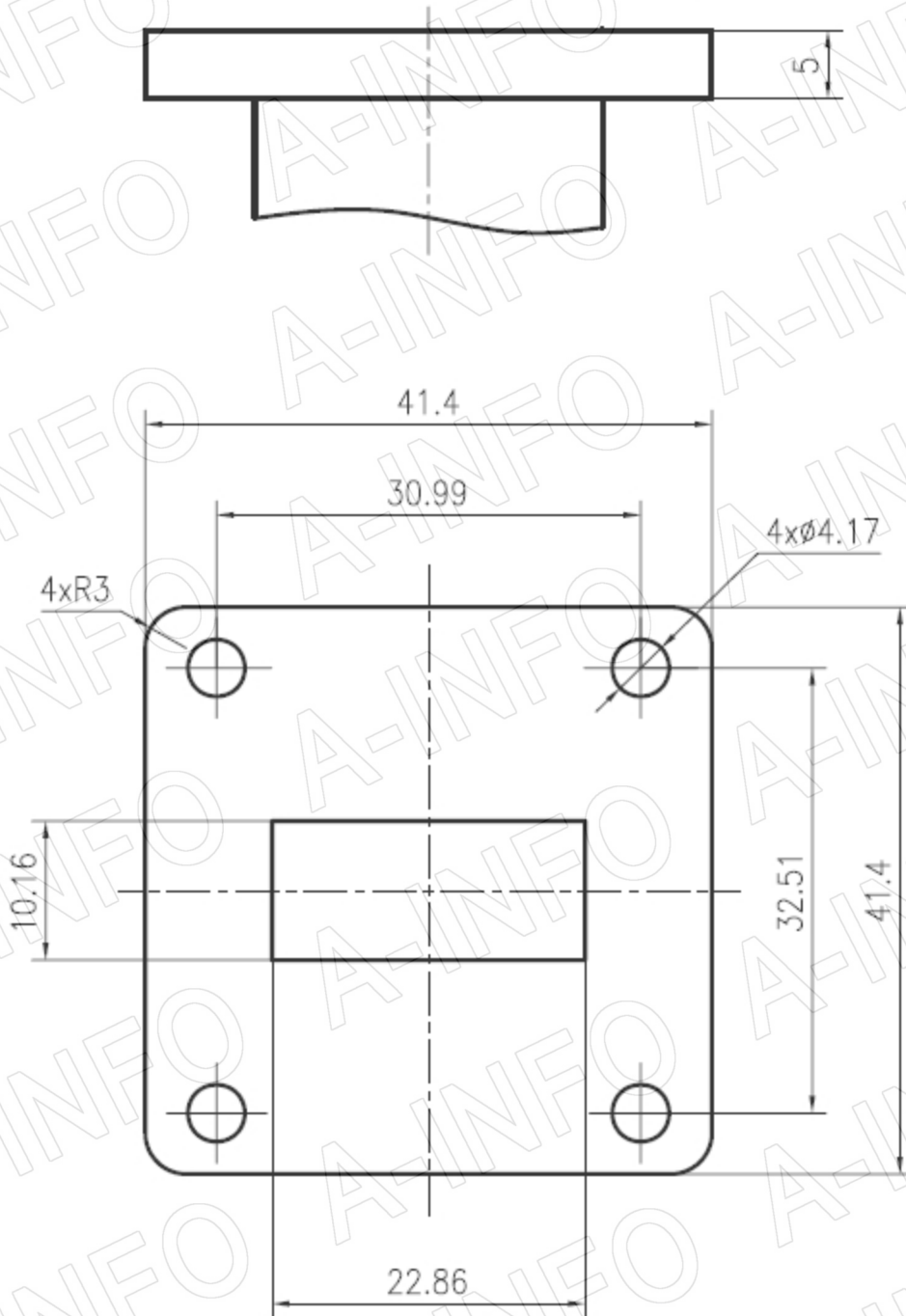


SMA-Female Output with L Type Mounting Bracket (Option, P/N: LB-CNH-90-25-L)

For N-Female, TNC- Female, 7mm or 3.5mm-Female output outline drawing, please contact A-INFO.



Flange Drawing (Size: mm)



FBP100

AINFO Inc.

China(Beijing): Tel: (+86) 10-6266-7326,
China(Chengdu): Tel: (+86) 28-8519-2786,
USA: Tel: (+1) 949-639-9688,

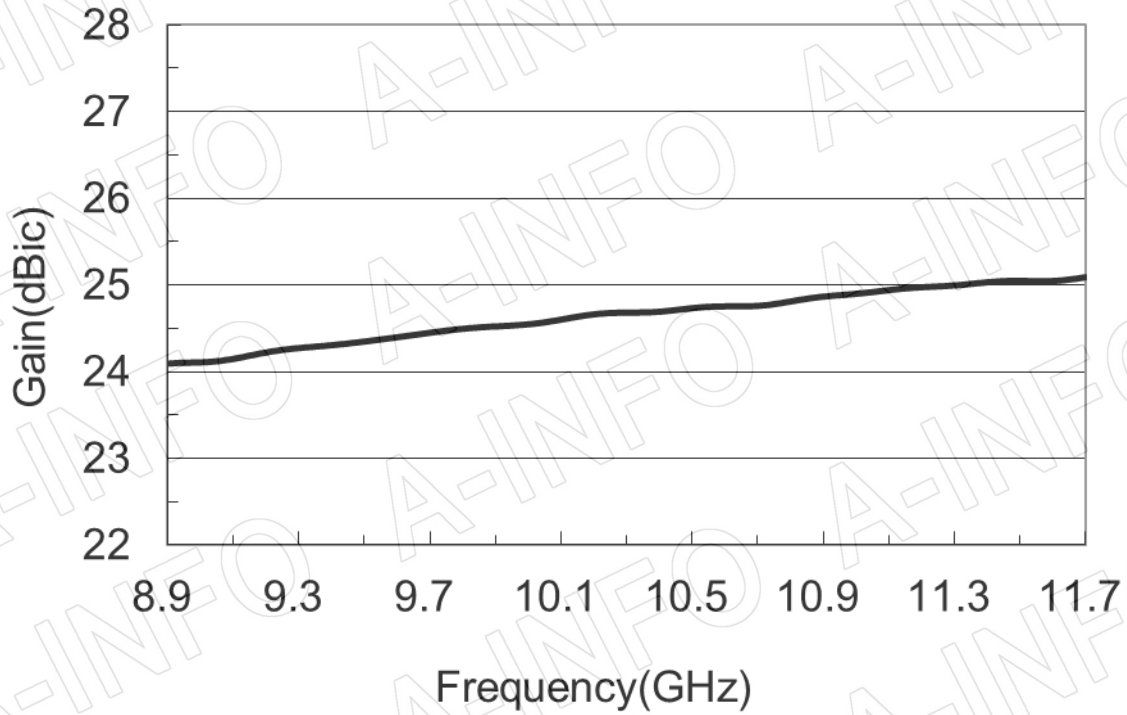
Page 4 of 8

(+86) 10-6266-7327 Fax: (+86) 10-6266-7379
(+86) 28-8519-3044 Fax: (+86) 28-8519-3068
(+1) 949-639-9608 Fax: (+1) 949-639-9670

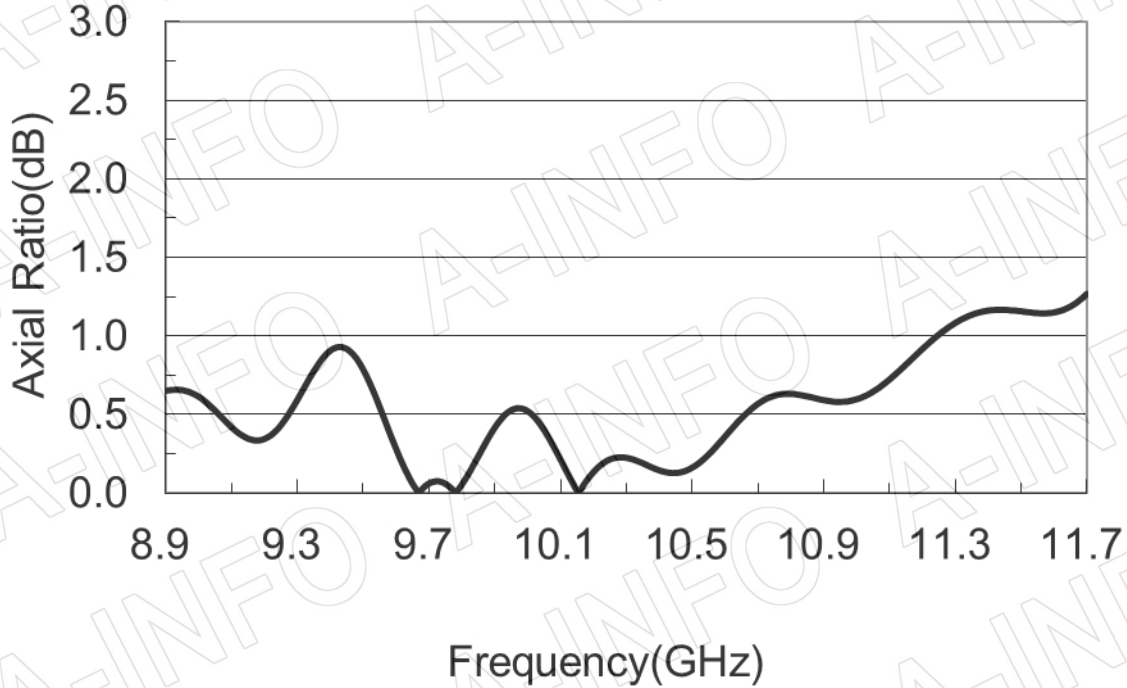
Website: www.ainfoinc.com
Email: sales@ainfoinc.com

Test Results

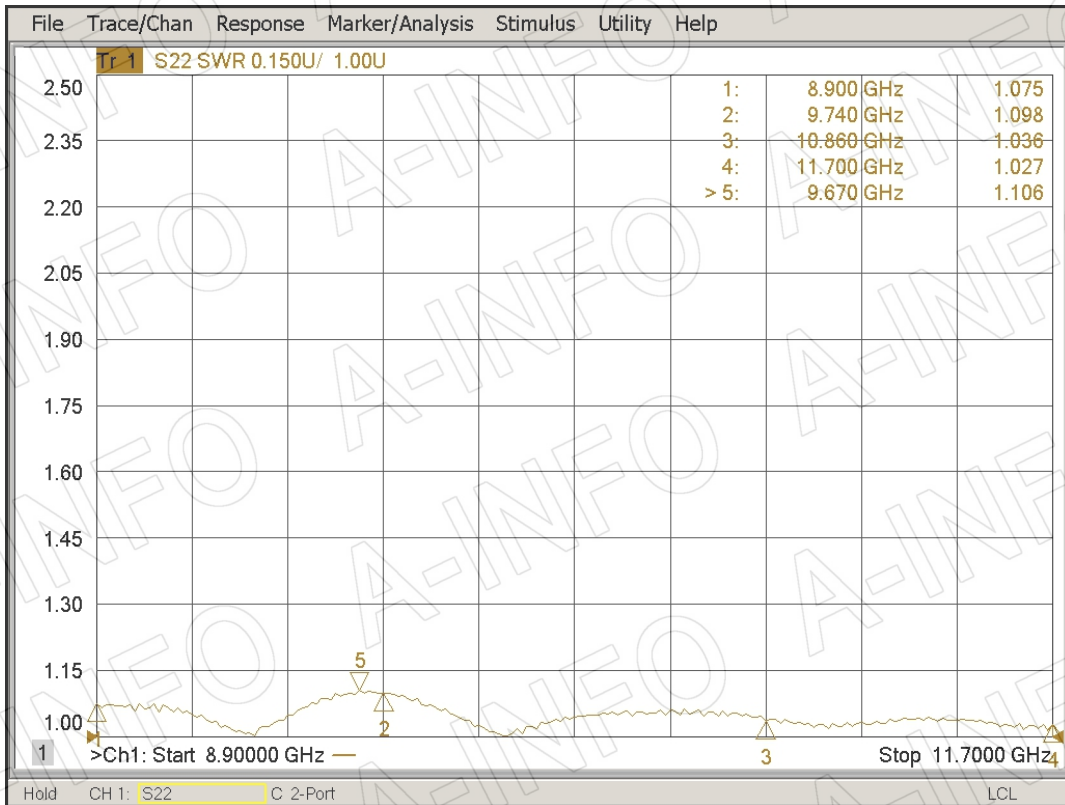
1. Gain



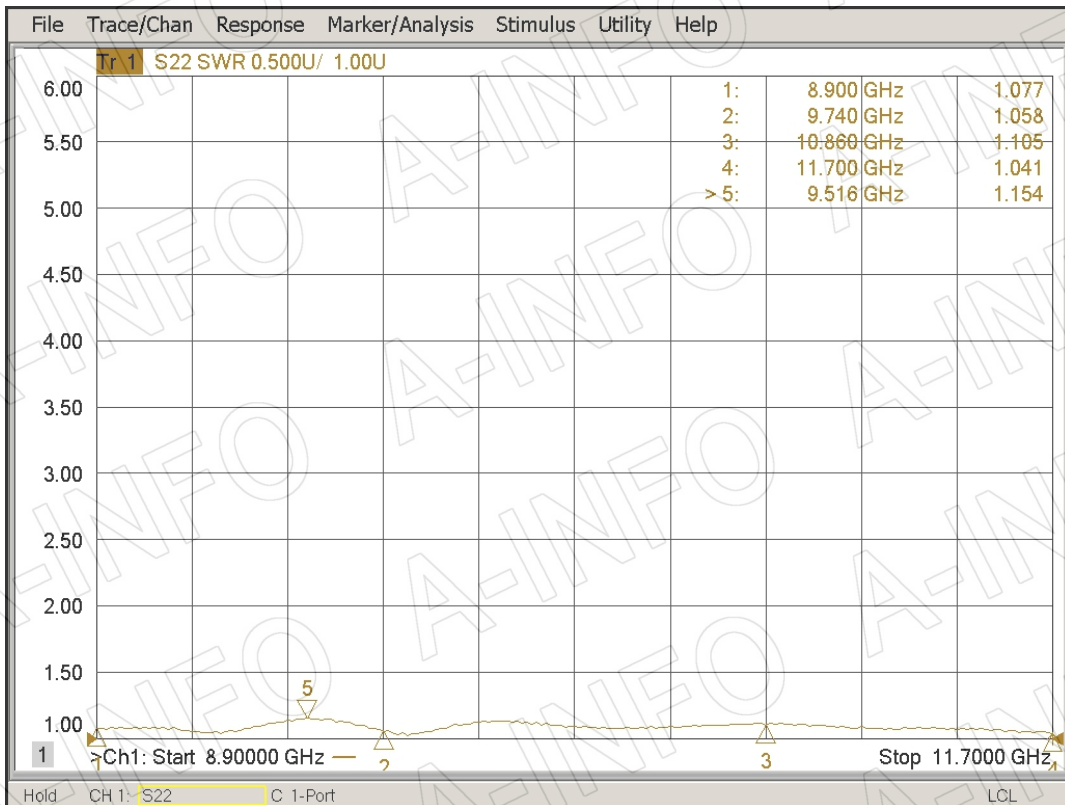
2. Axial Ratio



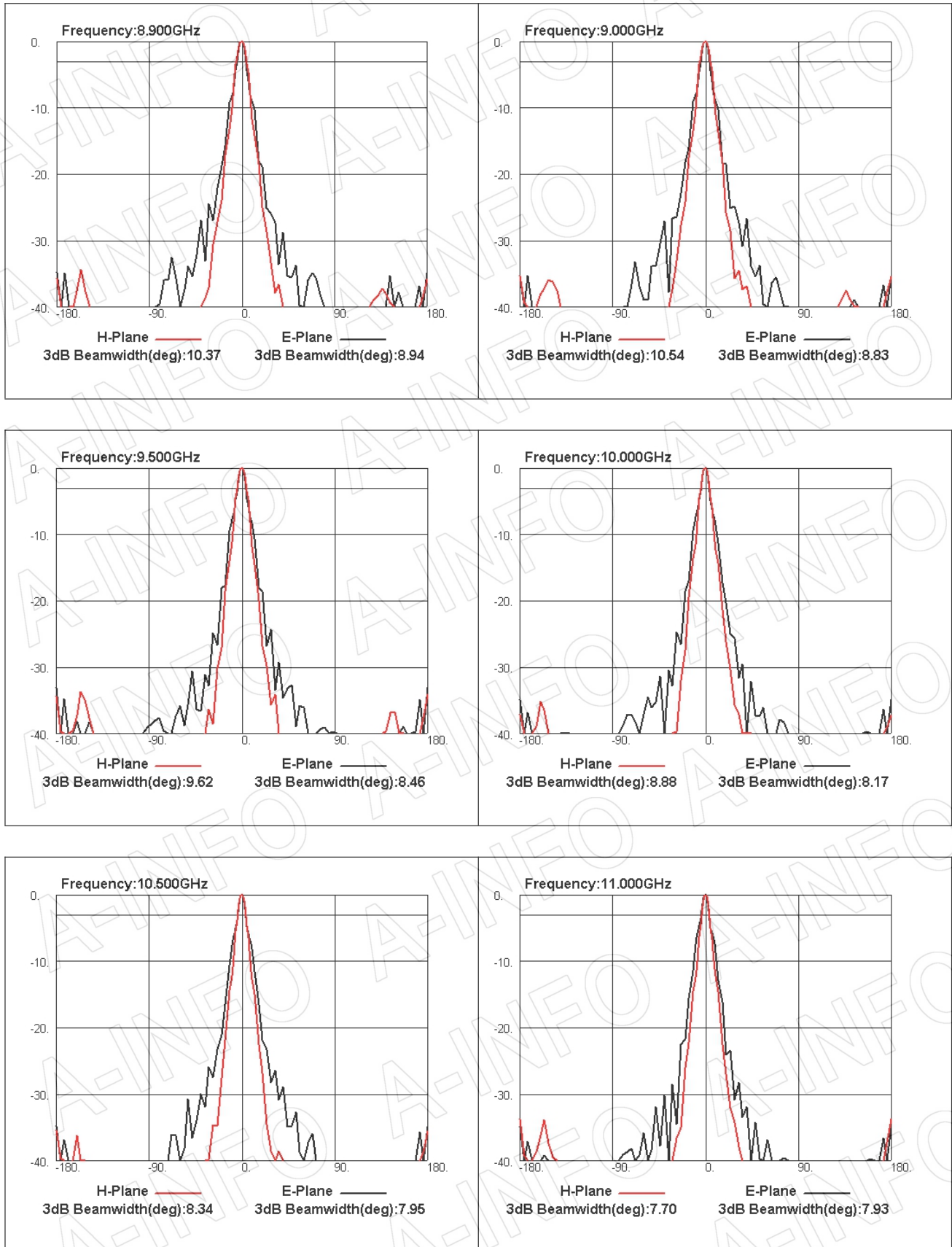
3. VSWR_A Type

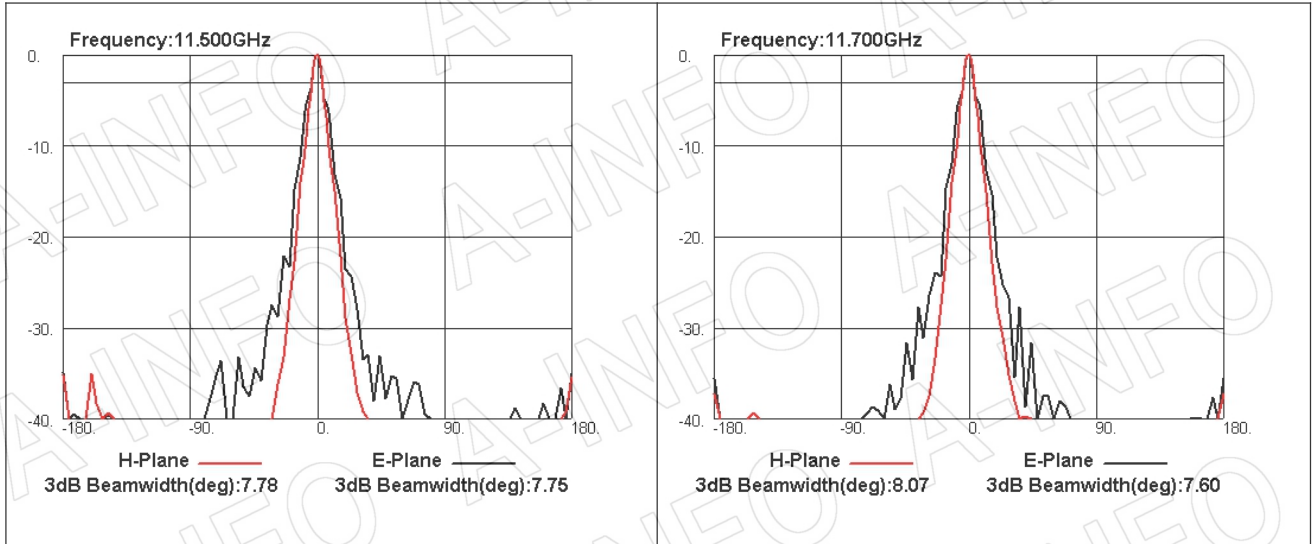


VSWR_C Type



4. Pattern





AINFO Inc.

China(Beijing): Tel: (+86) 10-6266-7326,
China(Chengdu): Tel: (+86) 28-8519-2786,
USA: Tel: (+1) 949-639-9688,

Page 8 of 8

(+86) 10-6266-7327 Fax: (+86) 10-6266-7379
(+86) 28-8519-3044 Fax: (+86) 28-8519-3068
(+1) 949-639-9608 Fax: (+1) 949-639-9670

Website: www.ainfoinc.com
Email: sales@ainfoinc.com